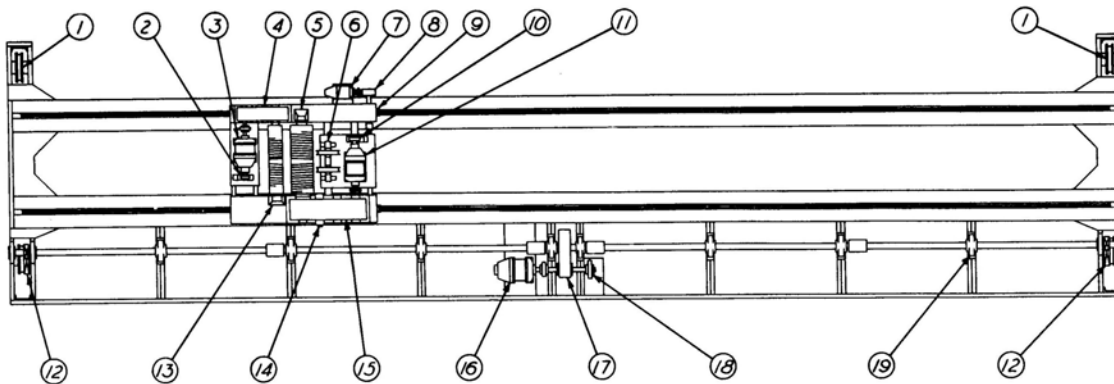


# 120 INCH BRIDGE CRANE LUBRICATION

## LUBRICATION CHART MOFFETT CRANE



**1. CRANE WHEEL BEARINGS**

Lubricate weekly by pressure gun filled with Gargoyle Grease Sovarex No. 1. Inspect wheels at regular intervals for evidence of abnormal wear on treads or flanges. Check alignment and condition of rails if wear is observed.

**2. AUXILIARY HOIST MOTOR BRAKE**

SOLENOID TYPE. Lubricate linkage twice weekly with oil can filled with Gargoyle Vactra Oil Heavy Medium. Keep air gap and shoes adjusted according to nameplate instructions.

*Check Type Furnished*

THRUSTOR TYPE. Lubricate oil linkage twice weekly with oil can filled with Gargoyle Vactra Oil Heavy Medium. Refer to brake manufacturer's maintenance bulletin.

**3. AUXILIARY HOIST MOTOR BEARINGS**

Lubricate every 6 months with pressure gun filled with Gargoyle Grease BRB No. 1. (do not overlubricate).

**4. AUXILIARY HOIST GEAR CASE**

Drain and refill once each 6 months. Check oil level weekly. Use Gargoyle Compound No. 3.

**5. OUTBOARD DRUM BEARING**

Lubricate semi-monthly with pressure gun filled with Gargoyle Grease Sovarex No. 1.

**6. UPPER SHEAVE BEARING**

Lubricate semi-monthly with pressure gun filled with Gargoyle Grease Sovarex No. 1.

**7. TROLLEY MOTOR BEARINGS**

Lubricate every 6 months with pressure gun filled with Gargoyle Grease BRB No. 1.

**8. TROLLEY DRIVE GEAR CASE**

Drain and refill once each 6 months. Check oil level weekly. Use Gargoyle Compound No. 3.

**9. TROLLEY WHEEL BEARINGS**

Lubricate weekly with pressure gun filled with Gargoyle Grease Sovarex No. 1.

**10. MAIN HOIST MOTOR BRAKE**

✓ SOLENOID TYPE. Lubricate linkage twice weekly with oil can filled with Gargoyle Vactra Oil Heavy Medium. Keep air gap and shoes adjusted according to nameplate instructions.

*Check Type Furnished*

THRUSTOR TYPE. Lubricate oil linkage twice weekly with oil can filled with Gargoyle Vactra Oil Heavy Medium. Refer to brake manufacturer's maintenance bulletin.

**11. MAIN HOIST MOTOR BEARINGS**

Lubricate every 6 months by pressure gun filled with Gargoyle Grease BRB No. 1.

**12. BRIDGE DRIVE WHEEL GEARS AND PINIONS**

IMPORTANT. Keep well coated with Gargoyle Viscolite No. 20 Fluid. Apply daily for heavy service and weekly for light service. Apply with brush to obtain uniform coating.

**13. AUXILIARY HOIST OUTBOARD DRUM BEARING**

Lubricate semi-weekly with pressure gun filled with Gargoyle Grease Sovarex No. 1.

**14. LOAD BRAKE ADJUSTMENT**

LOAD BRAKE. Type Furnished } Mechanical ✓  
Electrical  
External adjustment is provided by means of a bronze nut on the load brake shaft extending outside the gear case. To set, turn the hoist in the "Raise" direction, preferably with a load on the hook - then stop hoist by moving controller to "Off" position. Loosen the lock bolt in the bronze nut. Turn the bronze nut "Counter-clockwise" (left hand thread) until it is up against the shoulder Hand Tight. Back off 1/3 turn for friction plate clearance. Lock with lock bolt.  
NOTE. If electrical braking system is furnished in lieu of mechanical load brake, consult

# 120 INCH BRIDGE CRANE LUBRICATION

## INSTRUCTIONS

Regular servicing of the working parts is a highly important factor in efficient operation and maximum performance. The intervals specified are based on safe, conservative practice and calculated to assure the fullest degree of protection to all working parts. These intervals must not be exceeded as a regular procedure if best results are to be secured. The time and effort devoted to service requirements will be amply repaid in

longer life and lower maintenance. The choice of lubricants has a definite effect upon the resistance to wear and useful life of working parts. The lubricants appearing in the Intervals chart are made by the Socony-Vacuum Oil Co., Inc., and are conveniently obtainable in all parts of the world. They should be considered indicative of the type of lubricant required for the various working parts.

---

---

15. MAIN HOIST GEAR CASE

control manufacturer's bulletin enclosed for maintenance data.

Drain and refill once each 6 months. Check oil level weekly. Use Gargoyle Compound No. 3.

16. BRIDGE DRIVE MOTOR BEARINGS

Lubricate once each 6 months with pressure gun filled with Gargoyle Grease BRB No. 1.

17. BRIDGE DRIVE GEAR CASE

Drain and refill once each 6 months. Check oil level weekly. Use Gargoyle Compound No. 3.

18. BRIDGE DRIVE BRAKE

HYDRAULIC. See Wagner Electric Corporation maintenance instructions attached.

SOLENOID TYPE. Lubricate linkage twice weekly with oil can filled with Gargoyle Vactra Oil Heavy Medium. Keep air gap and shoes adjusted according to nameplate instructions.

19. SQUARING SHAFT PILLOW BLOCKS

Lubricate every 2 weeks with pressure gun filled with Gargoyle Grease Sovarex No. 1.

20. LOWER BLOCKS

Lubricate twice weekly with pressure gun filled with Gargoyle Grease Sovarex No. 1.

21. HOIST CABLE

Inspect rope at frequent intervals. Keep well coated with Gargoyle Graphite Grease No. 3.

ROPE REPLACEMENT DATA:  
MAIN HOIST. Rope Size  
Construction  
Length

**Moffett Engineering Co.**

579 Cleveland Ave. • Albany, California